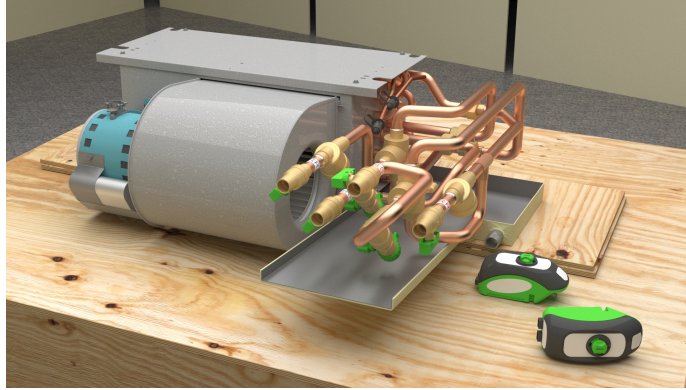
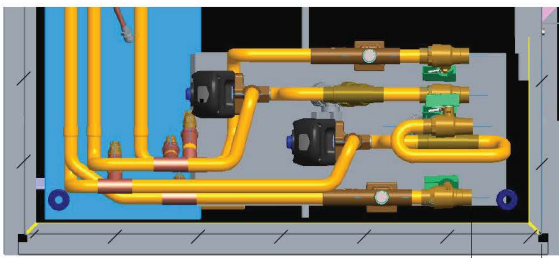


IEC is proud to offer new enhancements to our horizontal ceiling units and horizontal valve packages, effective May 1, 2020

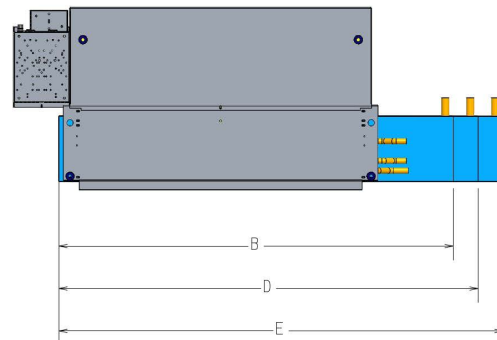


- **Removable drain pan now standard for all ceiling models**
 - Special Feature Requests (SFRs) will not be required for a removable drain pan option on ceiling models
- **New ceiling submittal drawings provide more detail to drain pan options, coil stub out locations and valve package design**

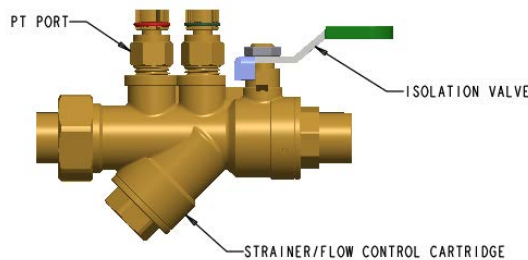
4 PIPE HEATING/COOLING



EXTENDED CHY/CPY (B)
CPY WITH VALVE PACKAGE (D)
CPY WITH SAME SIDE PIPING AND CONTROLS (E)



- **New Combination Valve options in the ceiling valve packages; Realize savings by selecting the combo valves instead of discrete components**
 - Combo Valve Supply: includes a ball valve, Y-strainer with blowdown, PT port and union
 - Combo Valve Return: includes a ball valve, fixed GPM, PT port and union



Combination Supply or Return Valve (union not shown)

Primary Valve Package

Package Size: <input (<="" 4"="" package="" type="text" value="1/2" valve=""/>	Strainer: <input type="text" value="None"/>
Control Valve: <input type="text" value="Ball Valves Only"/>	Flow Control Type: <input type="text" value="None"/>
Isolation Ball Valve: <input type="text" value="None"/>	Hose Kit: <input type="text" value="None"/>
Combo Supply Valve: <input type="text" value="Combo Ball Valve, Strai"/>	Service Fittings: <input type="text" value="None"/>
Combo Return Valve: <input type="text" value="Combo Ball Valve, Fixed"/>	<input type="checkbox"/> Balance on Bypass

Important Notes:

1. **New Submittal drawings must be re-generated for any active quotes. Unit dimensions will be affected by this change. Please review the new drawings and your project requirements.**
2. Any pending multiple release orders placed after May 1, 2020 will still be manufactured in accordance to the submittals provided prior to May 1, 2020.
 - a. All new orders placed will be manufactured in accordance to the new submittals released May 1, 2020.
3. Pending quotes will automatically be updated to the new selection format.
 - a. Users must re-save quote lines before an order can be submitted. To do this, simply open your quote Configurator and save each line that is highlighted.
 - b. Re-run the multiplier once you have saved all of the lines.
4. Updated Horizontal Price Guide, Technical Catalog and IOM will be available for download in EnCompass on May 1, 2020.

We are working hard to make the best Fan Coils in the Industry even better. We trust you'll find these enhancements very beneficial and an improvement to your ability to specify IEC products.

Please contact your Regional Sales Manager for any additional questions.